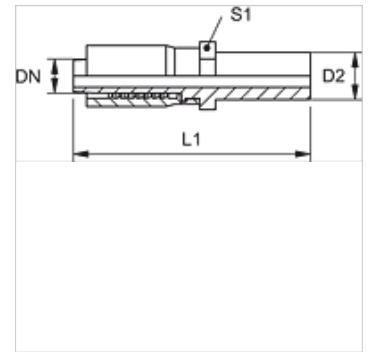


TRP FL

Swage fitting, BEL

Properties

Connection 1	Pipe sockets
Sealing form 1	Cutting ring connection
Short code	BEL
Standard	ISO 8434-1
Scope of supply	Swage nipple + swage ferrule
Material	Steel
Surface	electro galvanised



Note

Final cutting ring assembly must be carried out in the hardened pre-assembly socket (VOM...).

Item

Identification	DN	Size	Inches	Series	D2 (mm)	L1 (mm)	AF (mm)
TRP 04 FL	5	3	3/16"	L	6,0	57,0	10
TRP 10 FL 13	10	6	3/8"	L	15,0	77,0	19
TRP 13 FL	12	8	1/2"	L	15,0	83,0	24
TRP 13 FL 16	12	8	1/2"	L	18,0	83,0	24

Additional elements

VOM	Pre-assembly sockets
-----	----------------------