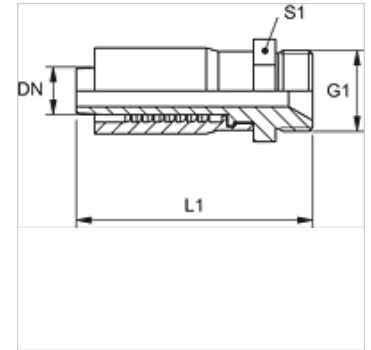


# TRP HB

Swage fitting, AGR

## Properties

<b>Connection 1</b>	BSP external thread, cylindrical
<b>Sealing form 1</b>	60° inner cone
<b>Short code</b>	AGR
<b>Standard</b>	ISO 8434-6 BS 5200
<b>Scope of supply</b>	Swage nipple + swage ferrule
<b>Material</b>	Steel
<b>Surface</b>	electro galvanised



## Item

Identification	DN	Size	Inches	G1	L1 (mm)	S1
TRP 04 HB 02	5	3	3/16"	G 1/8" -28	49,0	14
TRP 13 HB	12	8	1/2"	G 1/2" -14	73,0	24