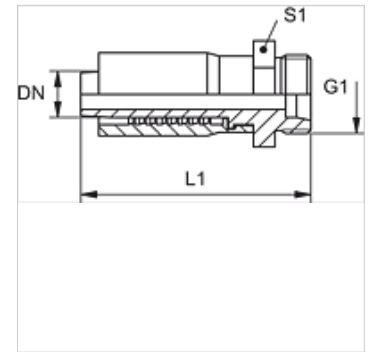


TRP HL

Swage fitting, CEL

Properties

Connection 1	metric cylindrical outer thread
Sealing form 1	24° inner cone
Short code	CEL
Standard	ISO 8434-1
Scope of supply	Swage nipple + swage ferrule
Material	Steel
Surface	electro galvanised



Item

Identification	DN	Size	Inches	Series	G1	for external pipe Ø (mm)	L1 (mm)	S1
TRP 04 HL	5	3	3/16"	L	M 12 x 1.5	6	47,0	17
TRP 06 HL	6	4	1/4"	L	M 14 x 1.5	8	53,0	17
TRP 08 HL	8	5	5/16"	L	M 16 x 1.5	10	57,0	19
TRP 08 HL 10	8	5	5/16"	L	M 18 x 1.5	12	57,0	22
TRP 10 HL	10	6	3/8"	L	M 18 x 1.5	12	63,0	22
TRP 10 HL 13	10	6	3/8"	L	M 22 x 1.5	15	64,0	27
TRP 13 HL	12	8	1/2"	L	M 22 x 1.5	15	70,0	27