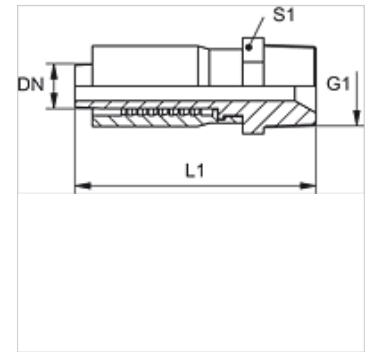


TRP HN

Swage fitting, AGN

Properties

Connection 1	NPT external threads
Sealing form 1	thread seal, additional 60° inner cone.
Short code	AGN
Scope of supply	Swage nipple + swage ferrule
Material	Steel
Surface	electro galvanised



Item							
Identification	DN	Size	Inches	G1	L1 (mm)	S1	
TRP 06 HN	6	4	1/4"	1/4" -18 NPT	58,0	17	
TRP 10 HN	10	6	3/8"	3/8" -18 NPT	67,0	22	
TRP 13 HN	12	8	1/2"	1/2" -14 NPT	76,0	24	