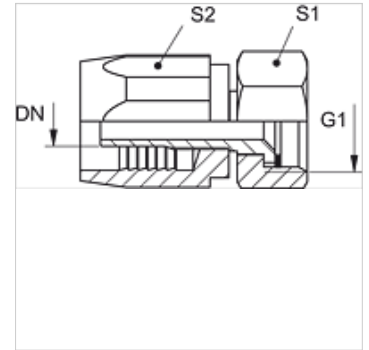


TWA AR

Screw fitting for hose ZSSOW

Properties

Connection 1	BSP nut thread
Sealing form 1	flat sealing
Short code	DKR flat
Standard	DIN EN 14424 and VG 95951
Scope of supply	Screw nipple + screw mount
Material	Hot pressed brass
Surface	bright chromium plated



Note

PU seal

Item

Identification	DN*	Size	Inches	G1	S1	S2
TWA 20 AR 25	19	12	3/4"	G 1" -11	36	36

DN = Nominal diameter, nominal width

Accessory for following products

ZSS OW Bleeding hose