

K AJF

Connector, cross shaped

Properties

Connection 1 - 4 ORFS nut threads

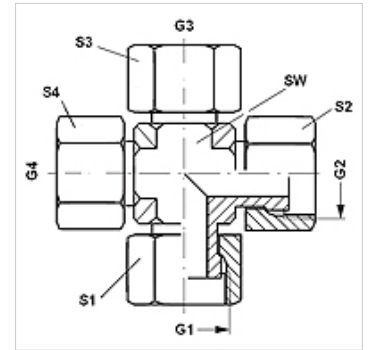
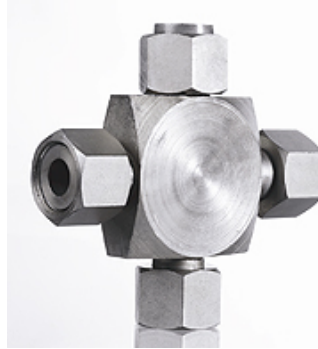
Sealing form 1 - 4 Flat seal

Design Connectors

Construction K shaped

Material Steel

Surface electro galvanised



Item

Identification	G1 - G4	AF (mm)	S1 - S4 (mm)
K AJF 04	9/16"-18 UNF	14	17
K AJF 06	11/16" -16 UN	19	22
K AJF 08	13/16" -16 UN	19	24
K AJF 10	1" -14 UNS	27	30
K AJF 12	1.3/16" -12 UN	30	36
K AJF 16	1.7/16" -12 UN	37	41

SW, S1, S2 = With across flats