

K HB VA

Connector, cross shaped

Properties

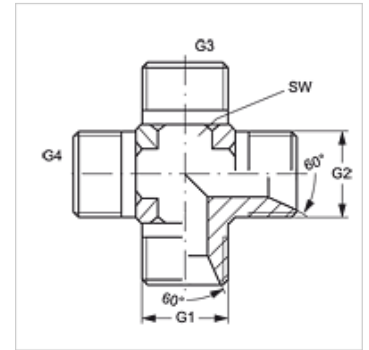
Connection 1 - 4 BSP cylindrical external threads

Sealing form 1 - 4 60° inner cone

Design Connectors

Construction K shaped

Material Stainless steel



Item

| Identification | G1 - G4 | AF (mm) |
|----------------|--------------|------------|
| K HB 02 VA | G 1/8" -28 | 11 |
| K HB 04 VA | G 1/4" -19 | 14 |
| K HB 06 VA | G 3/8" -19 | 19 |
| K HB 08 VA | G 1/2" -14 | 22 |
| K HB 12 VA | G 3/4" -14 | 27 |
| K HB 16 VA | G 1" -11 | 33 |
| K HB 20 VA | G 1.1/4" -11 | 41 |
| K HB 24 VA | G 1.1/2" -11 | 48 |

AF = Width across flats

Product versions

K HB Connector, cross shaped, Steel