

# K HJ

## Fitting socket, cross shaped

### Properties

Connection 1 - 4 UN/UNF external threads

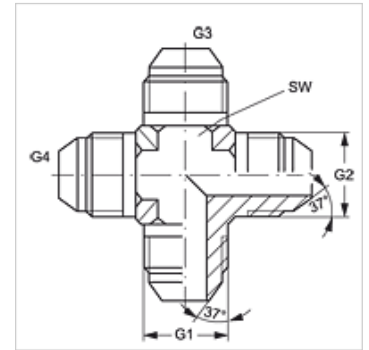
Sealing form 1 - 4 74° outer cone

Design Fitting socket

Construction K shaped

Material Steel

Surface electro galvanised



### Item

| Identification | G1 - G4        | AF<br>(mm) |
|----------------|----------------|------------|
| K HJ 04        | 7/16"-20 UNF   | 11         |
| K HJ 05        | 1/2"-20 UNF    | 14         |
| K HJ 06        | 9/16"-18 UNF   | 14         |
| K HJ 08        | 3/4"-16 UNF    | 19         |
| K HJ 10        | 7/8"-14 UNF    | 22         |
| K HJ 12        | 1.1/16" -12 UN | 27         |
| K HJ 16        | 1.5/16" -12 UN | 33         |
| K HJ 20        | 1.5/8" -12 UN  | 41         |
| K HJ 24        | 1.7/8" -12 UN  | 48         |

AF = Width across flats

### Product versions

K HJ VA Fitting socket, cross shaped, Stainless steel