

K HJOF

Fitting socket, cross shaped

Properties

Connection 1 - 4 ORFS external threads

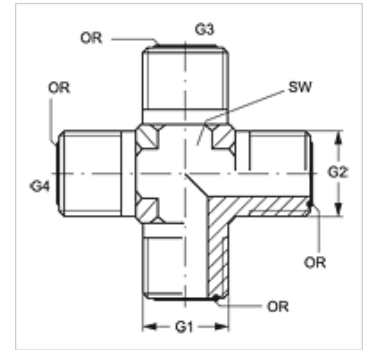
Sealing form 1 - 4 flat seal with O-ring

Design Fitting socket

Construction K shaped

Material Steel

Surface electro galvanised



Item

Identification	G1 - G4	AF (mm)	OR1 - OR4
K HJOF 04	9/16"-18 UNF	14	7.66 x 1.78
K HJOF 06	11/16" -16 UN	19	9.25 x 1.78
K HJOF 08	13/16" -16 UN	19	12.42 x 1.78
K HJOF 10	1" -14 UNS	27	15.60 x 1.78
K HJOF 12	1.3/16" -12 UN	30	18.77 x 1.78
K HJOF 16	1.7/16" -12 UN	36	23.52 x 1.78
K HJOF 20	1.11/16" -12 UN	41	29.87 x 1.78
K HJOF 24	2" -12 UN	48	37.82 x 1.78

AF = Width across flats