

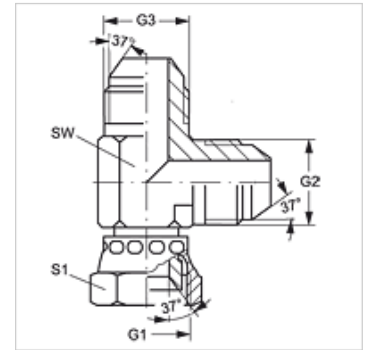
L AJ HJ

Screw-on socket, L shaped

HANSA FLEX

Properties

Connection 1	UN/UNF nut threads
Sealing form 1	74° inner cone
Connection 2 + 3	UN/UNF external threads
Sealing form 2 + 3	74° outer cone
Design	Adjustable direction screw-on socket
Construction	L shaped
Material	Steel
Surface	electro galvanised



Item

Identification	G1	G2 + G3	AF (mm)	S1
L AJ 04 HJ	7/16"-20 UNF	7/16"-20 UNF	12	14
L AJ 05 HJ	1/2"-20 UNF	1/2"-20 UNF	13	17
L AJ 06 HJ	9/16"-18 UNF	9/16"-18 UNF	14	19
L AJ 08 HJ	3/4"-16 UNF	3/4"-16 UNF	19	22
L AJ 10 HJ	7/8"-14 UNF	7/8"-14 UNF	22	17
L AJ 12 HJ	1.1/16" -12 UN	1.1/16" -12 UN	27	32
L AJ 14 HJ	1.3/16" -12 UN	1.3/16" -12 UN	33	36
L AJ 16 HJ	1.5/16" -12 UN	1.5/16" -12 UN	33	41
L AJ 20 HJ	1.5/8" -12 UN	1.5/8" -12 UN	41	50
L AJ 24 HJ	1.7/8" -12 UN	1.7/8" -12 UN	48	60

SW, S1, S2 = With across flats

Product versions

L AJ HJ VA Screw-on socket, L shaped, Stainless steel