

L HB AB

Screw-in socket, L shaped

Properties

Connection 1 BSP external thread, cylindrical

Sealing form 1 60° inner cone

Connection 2 + 3 BSP nut thread

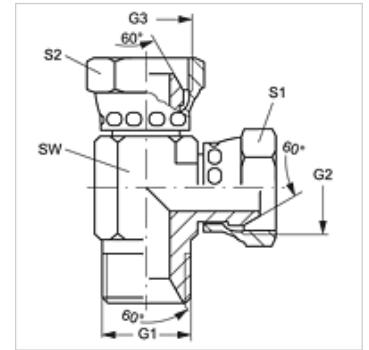
Sealing form 2 + 3 60° outer cone

Design Screw-in sockets

Construction straight

Material Steel

Surface electro galvanised



Item

Identification	G1	G2 + G3	AF (mm)	S1 + S2 (mm)
L HB 04 AB	G 1/4" -19	G 1/4" -19	14	19
L HB 06 AB	G 3/8" -19	G 3/8" -19	19	22
L HB 08 AB	G 1/2" -14	G 1/2" -14	22	27
L HB 12 AB	G 3/4" -14	G 3/4" -14	27	32
L HB 16 AB	G 1" -11	G 1" -11	33	38

SW, S1, S2 = With across flats