

# L HJOF AJF

Screw-in socket, L shaped

**HANSA FLEX**

## Properties

**Connection 1** ORFS external threads

**Sealing form 1** flat seal with O-ring

**Connection 2 + 3** ORFS nut threads

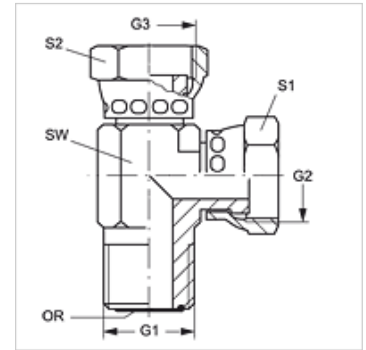
**Sealing form 2 + 3** Flat seal

**Design** Adjustable direction screw-in socket

**Construction** L shaped

**Material** Steel

**Surface** electro galvanised



## Item

Identification	G1	G2 + G3	AF (mm)	S1 + S2 (mm)	OR
L HJOF 04 AJF	9/16"-18 UNF	9/16"-18 UNF	14	17	7.65 x 1.78
L HJOF 06 AJF	11/16" -16 UN	11/16" -16 UN	19	22	9.25 x 1.78
L HJOF 08 AJF	13/16" -16 UN	13/16" -16 UN	19	24	12.42 x 1.78
L HJOF 10 AJF	1" -14 UNS	1" -14 UNS	27	30	15.60 x 1.78
L HJOF 12 AJF	1.3/16" -12 UN	1.3/16" -12 UN	30	35	18.77 x 1.78
L HJOF 16 AJF	1.7/16" -12 UN	1.7/16" -12 UN	37	41	23.52 x 1.78

SW, S1, S2 = With across flats