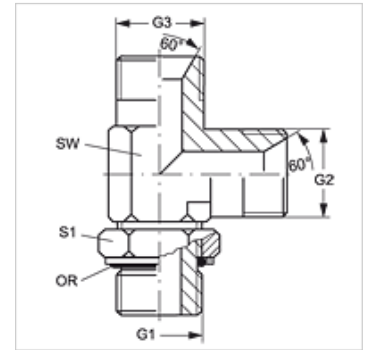


L HMOK HB

Screw-in socket, L shaped

Properties

| | |
|---------------------------|---|
| Connection 1 | metric cylindrical outer thread |
| Sealing form 1 | Thread socket with O-ring + spacer diaphragm ring |
| Connection 2 + 3 | BSP cylindrical external threads |
| Sealing form 2 + 3 | 60° inner cone |
| Design | Adjustable direction screw-in socket |
| Construction | L shaped |
| Material | Steel |
| Surface | electro galvanised |



| Item | | | | | |
|-----------------|------------|------------|------------|----|------------|
| Identification | G1 | G2 + G3 | AF (mm) | S1 | OR |
| L HMOK 12 HB 02 | M 12 x 1.5 | G 1/8" -28 | 13 | 18 | 9.3 x 2.4 |
| L HMOK 12 HB 04 | M 12 x 1.5 | G 1/4" -19 | 14 | 18 | 9.3 x 2.4 |
| L HMOK 14 HB 04 | M 14 x 1.5 | G 1/4" -19 | 14 | 20 | 11.3 x 2.4 |
| L HMOK 14 HB 06 | M 14 x 1.5 | G 3/8" -19 | 19 | 20 | 11.3 x 2.4 |
| L HMOK 16 HB 04 | M 16 x 1.5 | G 1/4" -19 | 19 | 22 | 13.3 x 2.4 |
| L HMOK 16 HB 06 | M 16 x 1.5 | G 3/8" -19 | 19 | 22 | 13.3 x 2.4 |
| L HMOK 18 HB 06 | M 18 x 1.5 | G 3/8" -19 | 22 | 24 | 15.3 x 2.4 |
| L HMOK 18 HB 08 | M 18 x 1.5 | G 1/2" -14 | 22 | 24 | 15.3 x 2.4 |
| L HMOK 20 HB 08 | M 20 x 1.5 | G 1/2" -14 | 22 | 28 | 17.3 x 2.4 |
| L HMOK 22 HB 08 | M 22 x 1.5 | G 1/2" -14 | 22 | 28 | 19.3 x 2.4 |
| L HMOK 22 HB 12 | M 22 x 1.5 | G 3/4" -14 | 27 | 28 | 19.3 x 2.4 |

SW, S1, S2 = With across flats

Spare parts

KAMMRING M Diaphragm ring, metric