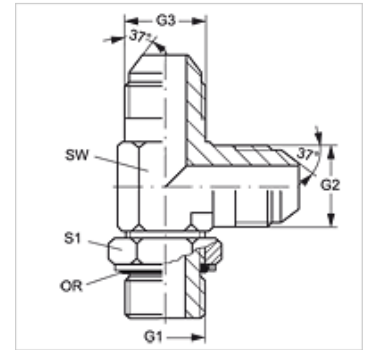


L HMOK HJ

Screw-in socket, L shaped

Properties

Connection 1	metric cylindrical outer thread
Sealing form 1	Thread socket with O-ring + spacer diaphragm ring
Connection 2 + 3	UN/UNF external threads
Sealing form 2 + 3	74° outer cone
Design	Adjustable direction screw-in socket
Construction	L shaped
Material	Steel
Surface	electro galvanised



Item

Identification	G1	G2 + G3	AF (mm)	S1	OR
L HMOK 10 HJ 04	M 10 x 1	7/16"-20 UNF	11	13	8.00 x 1.50
L HMOK 10 HJ 05	M 10 x 1	1/2"-20 UNF	13	14	8.00 x 1.50
L HMOK 12 HJ 04	M 12 x 1.5	7/16"-20 UNF	17	14	9.25 x 1.78
L HMOK 12 HJ 05	M 12 x 1.5	1/2"-20 UNF	13	17	9.25 x 1.78
L HMOK 14 HJ 05	M 14 x 1.5	1/2"-20 UNF	14	17	10.82 x 1.78
L HMOK 14 HJ 06	M 14 x 1.5	9/16"-18 UNF	14	17	10.82 x 1.78
L HMOK 16 HJ 06	M 16 x 1.5	9/16"-18 UNF	19	17	13.46 x 2.08
L HMOK 16 HJ 08	M 16 x 1.5	3/4"-16 UNF	19	19	13.46 x 2.08
L HMOK 18 HJ 06	M 18 x 1.5	9/16"-18 UNF	19	17	15.54 x 2.62
L HMOK 18 HJ 08	M 18 x 1.5	3/4"-16 UNF	19	22	15.54 x 2.62
L HMOK 18 HJ 10	M 18 x 1.5	7/8"-14 UNF	22	24	15.54 x 2.62
L HMOK 22 HJ 10	M 22 x 1.5	7/8"-14 UNF	22	27	18.77 x 1.78
L HMOK 22 HJ 12	M 22 x 1.5	1.1/16" -12 UN	27	27	18.77 x 1.78
L HMOK 27 HJ 12	M 27 x 2	1.1/16" -12 UN	27	32	23.47 x 2.62
L HMOK 27 HJ 16	M 27 x 2	1.5/16" -12 UN	32	27	23.47 x 2.62
L HMOK 33 HJ 16	M 33 x 2	1.5/16" -12 UN	33	38	28.24 x 2.62
L HMOK 42 HJ 20	M 42 x 2	1.5/8" -12 UN	41	50	37.77 x 2.62
L HMOK 48 HJ 24	M 48 x 2	1.7/8" -12 UN	48	55	44.12 x 2.62

SW, S1, S2 = With across flats

Spare parts

KAMMRING M Diaphragm ring, metric