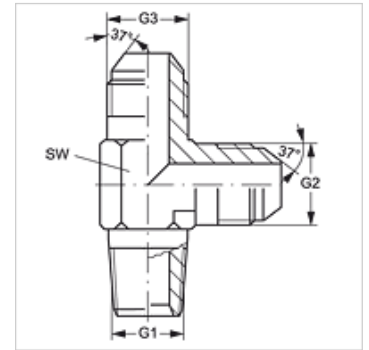


L HN HJ VA

Screw-in socket, L shaped

Properties

Connection 1	NPT external threads
Sealing form 1	thread seal
Connection 2 + 3	UN/UNF external threads
Sealing form 2 + 3	74° outer cone
Design	Screw-in sockets
Construction	L shaped
Material	Stainless steel



Item

Identification	G1	G2 + G3	AF (mm)
L HN 02 HJ 04 VA	1/8" -27 NPT	7/16"-20 UNF	11
L HN 04 HJ VA	1/4" -18 NPT	7/16"-20 UNF	14
L HN 04 HJ 06 VA	1/4" -18 NPT	9/16"-18 UNF	14
L HN 06 HJ VA	3/8" -18 NPT	9/16"-18 UNF	19
L HN 06 HJ 08 VA	3/8" -18 NPT	3/4"-16 UNF	19
L HN 08 HJ VA	1/2" -14 NPT	3/4"-16 UNF	22
L HN 12 HJ VA	3/4" -14 NPT	1.1/16" -12 UN	27

AF = Width across flats

Product versions

L HN HJ Screw-in socket, L shaped, Steel