

L HN IN

Screw-in socket, L shaped

Properties

Connection 1 NPT external threads

Sealing form 1 thread seal

Connection 2 + 3 NPT internal thread

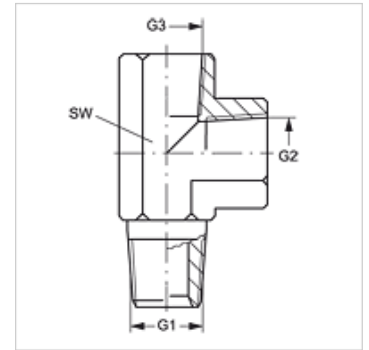
Sealing form 2 + 3 thread seal

Design Screw-in sockets

Construction L shaped

Material Steel

Surface electro galvanised



Item

Identification	G1	G2 + G3	AF (mm)
L HN 02 IN	1/8" -27 NPT	1/8" -27 NPT	14
L HN 04 IN	1/4" -18 NPT	1/4" -18 NPT	19
L HN 06 IN	3/8" -18 NPT	3/8" -18 NPT	22
L HN 08 IN	1/2" -14 NPT	1/2" -14 NPT	27
L HN 12 IN	3/4" -14 NPT	3/4" -14 NPT	33
L HN 16 IN	1" -11.5 NPT	1" -11.5 NPT	41
L HN 20 IN	1.1/4" -11.5 NPT	1.1/4" -11.5 NPT	48

AF = Width across flats