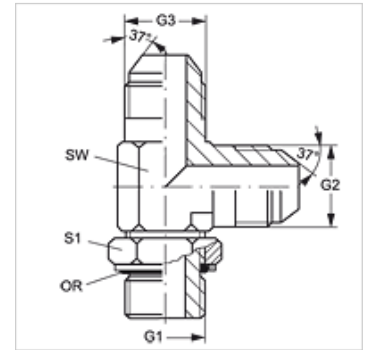


# L HROK HJ VA

Screw-in socket, L shaped

## Properties

<b>Connection 1</b>	BSP external thread, cylindrical
<b>Sealing form 1</b>	Thread socket with O-ring + spacer diaphragm ring
<b>Connection 2 + 3</b>	UN/UNF external threads
<b>Sealing form 2 + 3</b>	74° outer cone
<b>Design</b>	Adjustable direction screw-in socket
<b>Construction</b>	L shaped
<b>Material</b>	Stainless steel



## Ordering information

Seals of NBR  
FPM (Viton) on request

## Item

Identification	G1	G2 + G3	AF (mm)	S1	OR
<b>L HROK 02 HJ 04 VA</b>	G 1/8" -28	7/16"-20 UNF	11	14	8.00 x 2.00
<b>L HROK 04 HJ 06 VA</b>	G 1/4" -19	9/16"-18 UNF	14	19	10.77 x 2.62

SW, S1, S2 = With across flats

## Product versions

**L HROK HJ** Screw-in socket, L shaped, Steel

## Spare parts

**KAMMRING G** Spacer diaphragm ring, imperial