

L O HJ

Screw-in socket, L shaped

HANSA FLEX

Properties

Connection 1 UN/UNF external threads

Sealing form 1 O-ring seal on screw-in socket

Connection 2 + 3 UN/UNF external threads

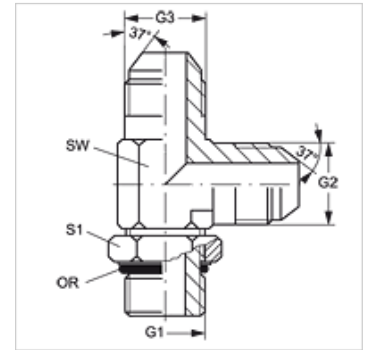
Sealing form 2 + 3 74° outer cone

Design Adjustable direction screw-in socket

Construction L shaped

Material Steel

Surface electro galvanised



Item

Identification	G1	G2 + G3	AF (mm)	S1	OR
L O 04 HJ	7/16"-20 UNF	7/16"-20 UNF	11	14	8.92 x 1.83
L O 05 HJ	1/2"-20 UNF	1/2"-20 UNF	14	16	10.52 x 1.83
L O 06 HJ	9/16"-18 UNF	9/16"-18 UNF	14	17	15.40 x 2.10
L O 08 HJ	3/4"-16 UNF	3/4"-16 UNF	19	22	16.36 x 2.20
L O 08 HJ 06	3/4"-16 UNF	9/16"-18 UNF	19	22	16.36 x 2.20
L O 10 HJ	7/8"-14 UNF	7/8"-14 UNF	22	25	19.18 x 2.46
L O 10 HJ 12	7/8"-14 UNF	1.1/16" -12 UN	27	25	19.18 x 2.46
L O 12 HJ	1.1/16" -12 UN	1.1/16" -12 UN	27	32	23.47 x 2.95
L O 12 HJ 16	1.1/16" -12 UN	1.5/16" -12 UN	33	32	23.47 x 2.95
L O 16 HJ	1.5/16" -12 UN	1.5/16" -12 UN	33	38	29.74 x 2.95
L O 16 HJ 12	1.5/16" -12 UN	1.1/16" -12 UN	27	38	29.74 x 2.95
L O 20 HJ	1.5/8" -12 UN	1.5/8" -12 UN	41	48	37.47 x 3.00
L O 24 HJ	1.7/8" -12 UN	1.7/8" -12 UN	48	54	43.69 x 3.00

AF = Width across flats

Product versions

L O HJ VA Screw-in socket, L shaped, Stainless steel