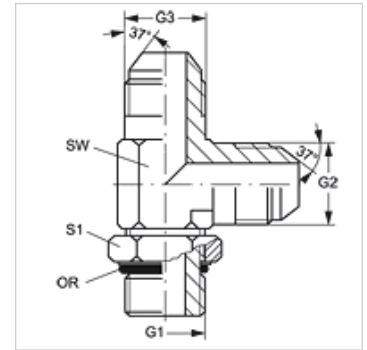


L O HJ VA

Screw-in socket, L shaped

Properties

Connection 1	UN/UNF external threads
Sealing form 1	O-ring seal on screw-in socket
Connection 2 + 3	UN/UNF external threads
Sealing form 2 + 3	74° outer cone
Design	Adjustable direction screw-in socket
Construction	L shaped
Material	Stainless steel



Ordering information

Seals of NBR
FPM (Viton) on request

Item	G1	G2 + G3	AF (mm)	S1	OR
L O 04 HJ VA	7/16"-20 UNF	7/16"-20 UNF	11	14	8.92 x 1.83
L O 06 HJ VA	9/16"-18 UNF	9/16"-18 UNF	14	17	15.40 x 2.10

AF = Width across flats

Product versions

L O HJ Screw-in socket, L shaped, Steel