

L SV HJ

Bulkhead fitting socket, L shape

Properties

Connection 1 - 3 UN/UNF external threads

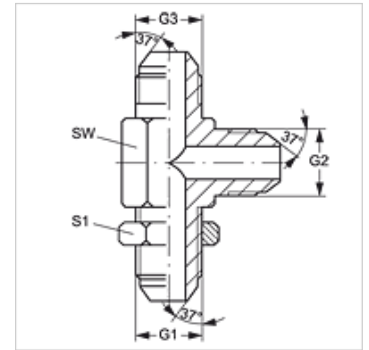
Sealing form 1 - 3 74° outer cone

Design Bulkhead fitting socket

Construction L shaped

Material Steel

Surface electro galvanised



Item

Identification	G1 - G3	AF (mm)	S1
L SV 04 HJ	7/16"-20 UNF	11	17
L SV 05 HJ	1/2"-20 UNF	14	19
L SV 06 HJ	9/16"-18 UNF	14	21
L SV 08 HJ	3/4"-16 UNF	19	25
L SV 10 HJ	7/8"-14 UNF	22	29
L SV 12 HJ	1.1/16" -12 UN	27	35

SW, S1, S2 = With across flats