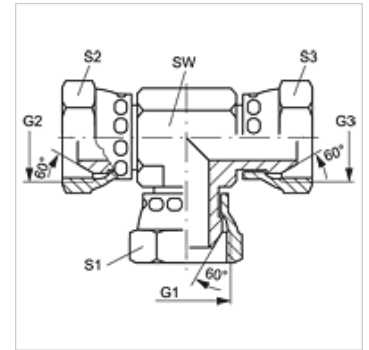


T AB

Screw-on socket, T shaped

Properties

Connection 1 - 3	BSP nut thread
Sealing form 1 - 3	60° outer cone
Design	Adjustable direction screw-on socket
Construction	T shaped
Material	Steel
Surface	electro galvanised



Item

Identification	G1 - G3	AF (mm)	S1 - S3 (mm)
T AB 02	G 1/8" -28	11	14
T AB 04	G 1/4" -19	14	19
T AB 06	G 3/8" -19	19	22
T AB 08	G 1/2" -14	22	27
T AB 10	G 5/8" -14	22	30
T AB 12	G 3/4" -14	27	32
T AB 16	G 1" -11	33	41
T AB 20	G 1.1/4" -11	41	50
T AB 24	G 1.1/2" -11	48	60
T AB 32	G 2" -11	64	70

SW, S1, S2 = With across flats

Product versions

T AB VA Screw-on socket, T shaped, Stainless steel