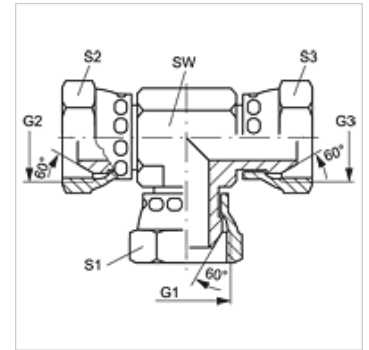


# T AB VA

Screw-on socket, T shaped

## Properties

<b>Connection 1 - 3</b>	BSP nut thread
<b>Sealing form 1 - 3</b>	60° outer cone
<b>Design</b>	Adjustable direction screw-on socket
<b>Construction</b>	T shaped
<b>Material</b>	Stainless steel



## Item

Identification	G1 - G3	AF (mm)	S1 - S3 (mm)
T AB 02 VA	G 1/8" -28	12	14
T AB 04 VA	G 1/4" -19	14	19
T AB 06 VA	G 3/8" -19	17	22
T AB 08 VA	G 1/2" -14	19	27
T AB 12 VA	G 3/4" -14	27	32
T AB 16 VA	G 1" -11	36	41
T AB 20 VA	G 1.1/4" -11	41	50
T AB 24 VA	G 1.1/2" -11	50	55

SW, S1, S2 = With across flats

## Product versions

T AB	Screw-on socket, T shaped, Steel
------	----------------------------------