

T AJ

Connection socket, T shaped

Properties

Connection 1 - 3 UN/UNF nut threads

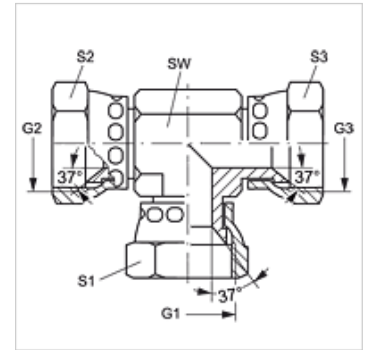
Sealing form 1 - 3 74° inner cone

Design Connection sockets

Construction T shaped

Material Steel

Surface electro galvanised



Item

Identification	G1 - G3	AF (mm)	S1 - S3 (mm)
T AJ 04	7/16"-20 UNF	11	14
T AJ 05	1/2"-20 UNF	13	17
T AJ 06	9/16"-18 UNF	14	18
T AJ 08	3/4"-16 UNF	19	22
T AJ 10	7/8"-14 UNF	19	25
T AJ 12	1.1/16" -12 UN	27	32
T AJ 16	1.5/16" -12 UN	30	41
T AJ 20	1.5/8" -12 UN	41	50

SW, S1, S2 = With across flats