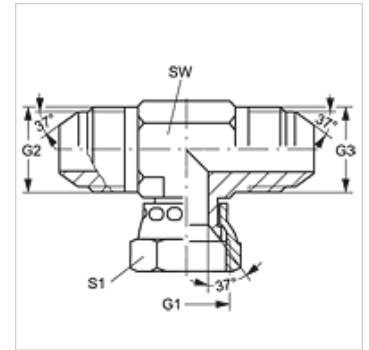


# T AJ HJ

Screw-on socket, T shaped

## Properties

<b>Connection 1</b>	UN/UNF nut threads
<b>Sealing form 1</b>	74° inner cone
<b>Connection 2 + 3</b>	UN/UNF external threads
<b>Sealing form 2 + 3</b>	74° outer cone
<b>Design</b>	Adjustable direction screw-on socket
<b>Construction</b>	T shaped
<b>Material</b>	Steel
<b>Surface</b>	electro galvanised



## Item

Identification	G1	G2 + G3	AF (mm)	S1
T AJ 04 HJ	7/16"-20 UNF	7/16"-20 UNF	11	16
T AJ 05 HJ	1/2"-20 UNF	1/2"-20 UNF	13	17
T AJ 06 HJ	9/16"-18 UNF	9/16"-18 UNF	14	19
T AJ 08 HJ	3/4"-16 UNF	3/4"-16 UNF	19	22
T AJ 10 HJ	7/8"-14 UNF	7/8"-14 UNF	22	27
T AJ 12 HJ	1.1/16" -12 UN	1.1/16" -12 UN	27	32
T AJ 16 HJ	1.5/16" -12 UN	1.5/16" -12 UN	33	38
T AJ 20 HJ	1.5/8" -12 UN	1.5/8" -12 UN	41	50
T AJ 24 HJ	1.7/8" -12 UN	1.7/8" -12 UN	48	55

SW, S1, S2 = With across flats

## Product versions

T AJ HJ VA Screw-on socket, T shaped, Stainless steel