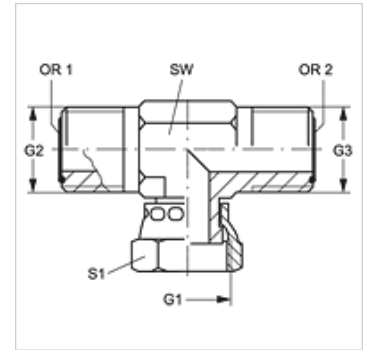


T AJF HJOF

Screw-on socket, T shaped

Properties

Connection 1	ORFS nut threads
Sealing form 1	flat sealing
Connection 2 + 3	ORFS external threads
Sealing form 2 + 3	flat seal with O-ring
Design	Adjustable direction screw-on socket
Construction	T shaped
Material	Steel
Surface	electro galvanised



Item

Identification	G1	G2 + G3	AF (mm)	S1	OR1 + OR2
T AJF 04 HJOF	9/16"-18 UNF	9/16"-18 UNF	14	17	7.66 x 1.78
T AJF 06 HJOF	11/16" -16 UN	11/16" -16 UN	19	22	9.25 x 1.78
T AJF 08 HJOF	13/16" -16 UN	13/16" -16 UN	19	24	12.42 x 1.78
T AJF 10 HJOF	1" -14 UNS	1" -14 UNS	27	30	15.60 x 1.78
T AJF 12 HJOF	1.3/16" -12 UN	1.3/16" -12 UN	30	35	18.77 x 1.78
T AJF 16 HJOF	1.7/16" -12 UN	1.7/16" -12 UN	37	41	23.52 x 1.78
T AJF 20 HJOF	1.11/16" -12 UN	1.11/16" -12 UN	41	48	29.87 x 1.78
T AJF 24 HJOF	2" -12 UN	2" -12 UN	48	55	37.82 x 1.78

SW, S1, S2 = With across flats