

# T HB

## Connection socket, T shaped

### Properties

**Connection 1 - 3** BSP cylindrical external threads

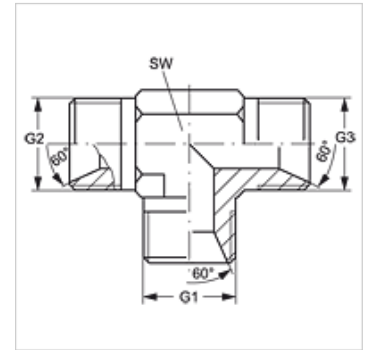
**Sealing form 1 - 3** 60° inner cone

**Design** Connection sockets

**Construction** T shaped

**Material** Steel

**Surface** electro galvanised



### Item

Identification	G1 - G3	AF (mm)
T HB 02	G 1/8" -28	11
T HB 04	G 1/4" -19	14
T HB 06	G 3/8" -19	19
T HB 08	G 1/2" -14	22
T HB 10	G 5/8" -14	22
T HB 12	G 3/4" -14	27
T HB 16	G 1" -11	33
T HB 20	G 1.1/4" -11	41
T HB 24	G 1.1/2" -11	48
T HB 32	G 2" -11	64

AF = Width across flats

### Product versions

**T HB VA** Connection socket, T shaped, Stainless steel