

# T HB AB

Screw-in socket, T shaped

## Properties

**Connection 1** BSP external thread, cylindrical

**Sealing form 1** 60° inner cone

**Connection 2 + 3** BSP nut thread

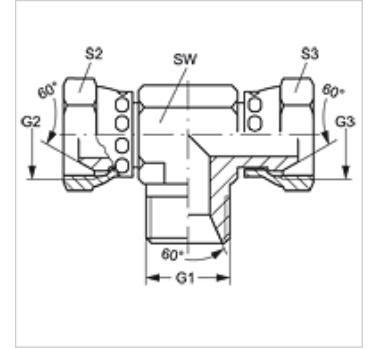
**Sealing form 2 + 3** 60° outer cone

**Design** Screw-in sockets

**Construction** T shaped

**Material** Steel

**Surface** electro galvanised



## Item

Identification	G1	G2 + G3	AF (mm)	S2 + S3
<b>T HB 04 AB</b>	G 1/4" -19	G 1/4" -19	14	19
<b>T HB 06 AB</b>	G 3/8" -19	G 3/8" -19	19	22
<b>T HB 08 AB</b>	G 1/2" -14	G 1/2" -14	22	27
<b>T HB 12 AB</b>	G 3/4" -14	G 3/4" -14	27	32
<b>T HB 16 AB</b>	G 1" -11	G 1" -11	33	41

SW, S1, S2 = With across flats