

T HJ

Connection socket, T shaped

Properties

Connection 1 - 3 UN/UNF external threads

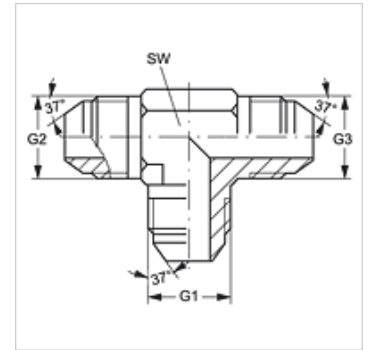
Sealing form 1 - 3 74° outer cone

Design Connection sockets

Construction T shaped

Material Steel

Surface electro galvanised



Item

Identification	G1 - G3	AF (mm)
T HJ 04	7/16"-20 UNF	11
T HJ 05	1/2"-20 UNF	13
T HJ 06	9/16"-18 UNF	14
T HJ 08	3/4"-16 UNF	19
T HJ 10	7/8"-14 UNF	22
T HJ 12	1.1/16" -12 UN	27
T HJ 14	1.3/16" -12 UN	33
T HJ 16	1.5/16" -12 UN	33
T HJ 20	1.5/8" -12 UN	41
T HJ 24	1.7/8" -12 UN	48
T HJ 32	2.1/2" -12 UN	66

AF = Width across flats

Product versions

T HJ VA Connection socket, T shaped, Stainless steel