

T HJOF

Fitting socket, T shaped

Properties

Connection 1 - 3 ORFS external threads

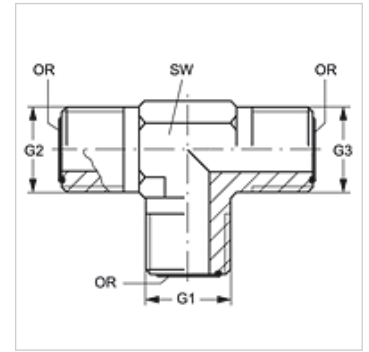
Sealing form 1 - 3 flat seal with O-ring

Design Fitting socket

Construction T shaped

Material Steel

Surface electro galvanised



Item

Identification	G1 - G3	AF (mm)	OR1 - OR3
T HJOF 04	9/16"-18 UNF	14	7.65 x 1.78
T HJOF 06	11/16" -16 UN	19	9.25 x 1.78
T HJOF 08	13/16" -16 UN	19	12.42 x 1.78
T HJOF 10	1" -14 UNS	27	15.60 x 1.78
T HJOF 12	1.3/16" -12 UN	30	18.77 x 1.78
T HJOF 16	1.7/16" -12 UN	36	23.52 x 1.78
T HJOF 20	1.11/16" -12 UN	41	29.87 x 1.78
T HJOF 24	2" -12 UN	48	37.82 x 1.78
T HJOF 32	2.1/2" -12 UN	64	48.90 x 2.62

AF = Width across flats

Product versions

T HJOF VA Fitting socket, T shaped, Stainless steel