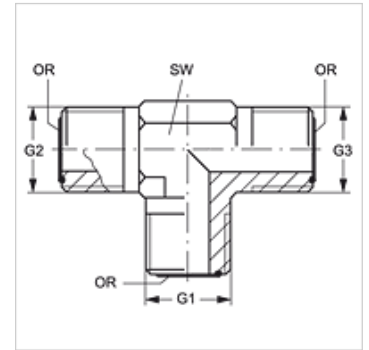


T HJOF VA

Fitting socket, T shaped

Properties

Connection 1 - 3	ORFS external threads
Sealing form 1 - 3	flat seal with O-ring
Design	Fitting socket
Construction	T shaped
Material	Stainless steel



Ordering information

Seals of NBR
FPM (Viton) on request

Item

Identification	G1 - G3	AF (mm)	OR1 - OR3
T HJOF 04 VA	9/16"-18 UNF	14	7.65 x 1.78
T HJOF 06 VA	11/16" -16 UN	19	9.25 x 1.78
T HJOF 08 VA	13/16" -16 UN	19	12.42 x 1.78
T HJOF 10 VA	1" -14 UNS	27	15.60 x 1.78
T HJOF 12 VA	1.3/16" -12 UN	30	18.77 x 1.78
T HJOF 16 VA	1.7/16" -12 UN	36	23.52 x 1.78
T HJOF 24 VA	2" -12 UN	48	37.82 x 1.78

AF = Width across flats

Product versions

T HJOF Fitting socket, T shaped, Steel