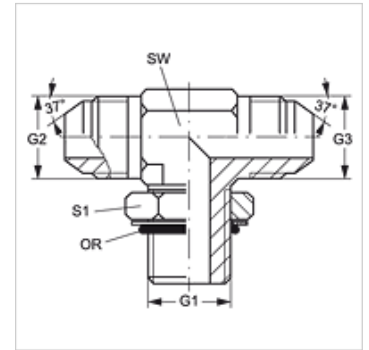


T HMO HJ

Screw-in socket, T shaped

Properties

| | |
|---------------------------|--------------------------------------|
| Connection 1 | metric cylindrical outer thread |
| Sealing form 1 | Shape F |
| Connection 2 + 3 | UN/UNF external threads |
| Sealing form 2 + 3 | 74° outer cone |
| Design | Adjustable direction screw-in socket |
| Construction | T shaped |
| Material | Steel |
| Surface | electro galvanised |



Item

| Identification | G1 | G2 + G3 | AF (mm) | S1 | OR |
|----------------|------------|----------------|------------|----|------------|
| T HMO 10 HJ 04 | M 10 x 1 | 7/16"-20 UNF | 11 | 14 | 8.2 x 1.5 |
| T HMO 10 HJ 05 | M 10 x 1 | 1/2"-20 UNF | 13 | 14 | 8.2 x 1.5 |
| T HMO 12 HJ 04 | M 12 x 1.5 | 7/16"-20 UNF | 13 | 17 | 9.4 x 2.1 |
| T HMO 12 HJ 05 | M 12 x 1.5 | 1/2"-20 UNF | 13 | 17 | 9.4 x 2.1 |
| T HMO 14 HJ 05 | M 14 x 1.5 | 1/2"-20 UNF | 14 | 17 | 11.3 x 2.4 |
| T HMO 14 HJ 06 | M 14 x 1.5 | 9/16"-18 UNF | 14 | 19 | 11.3 x 2.4 |
| T HMO 16 HJ 06 | M 16 x 1.5 | 9/16"-18 UNF | 19 | 22 | 13.4 x 2.1 |
| T HMO 16 HJ 08 | M 16 x 1.5 | 3/4"-16 UNF | 19 | 22 | 13.4 x 2.1 |
| T HMO 18 HJ 06 | M 18 x 1.5 | 9/16"-18 UNF | 22 | 19 | 15.4 x 2.1 |
| T HMO 18 HJ 08 | M 18 x 1.5 | 3/4"-16 UNF | 19 | 24 | 15.4 x 2.1 |
| T HMO 18 HJ 10 | M 18 x 1.5 | 7/8"-14 UNF | 22 | 24 | 15.4 x 2.1 |
| T HMO 22 HJ 10 | M 22 x 1.5 | 7/8"-14 UNF | 22 | 27 | 19.4 x 2.1 |
| T HMO 22 HJ 12 | M 22 x 1.5 | 1.1/16" -12 UN | 27 | 27 | 19.4 x 2.1 |
| T HMO 27 HJ 12 | M 27 x 2 | 1.1/16" -12 UN | 27 | 32 | 23.7 x 2.8 |
| T HMO 27 HJ 16 | M 27 x 2 | 1.5/16" -12 UN | 33 | 32 | 23.7 x 2.8 |
| T HMO 33 HJ 16 | M 33 x 2 | 1.5/16" -12 UN | 33 | 41 | 29.7 x 2.8 |
| T HMO 42 HJ 20 | M 42 x 2 | 1.5/8" -12 UN | 41 | 50 | 38.7 x 2.8 |
| T HMO 48 HJ 24 | M 48 x 2 | 1.7/8" -12 UN | 48 | 55 | 46.7 x 2.8 |

SW, S1, S2 = With across flats