

T HN

Screw-in socket, T shaped

Properties

Connection 1 - 3 NPT external threads

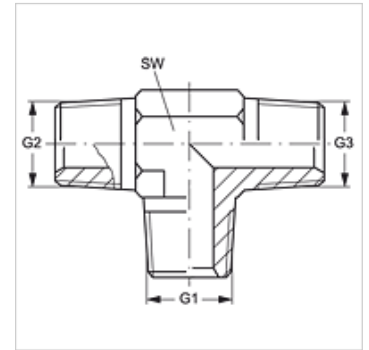
Sealing form 1 - 3 thread seal

Design Screw-in sockets

Construction T shaped

Material Steel

Surface electro galvanised



Item

Identification	G1 - G3	AF (mm)
T HN 02	1/8" -27 NPT	11
T HN 04	1/4" -18 NPT	14
T HN 06	3/8" -18 NPT	19
T HN 08	1/2" -14 NPT	22
T HN 12	3/4" -14 NPT	27
T HN 16	1" -11.5 NPT	41
T HN 20	1.1/4" -11.5 NPT	48

AF = Width across flats

Product versions

T HN VA Screw-in socket, T shaped, Stainless steel