

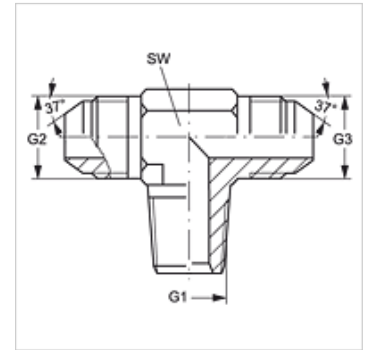
# T HN HJ VA

Screw-in socket, T shaped

**HANSA FLEX**

## Properties

<b>Connection 1</b>	NPT external threads
<b>Sealing form 1</b>	thread seal
<b>Connection 2 + 3</b>	UN/UNF external threads
<b>Sealing form 2 + 3</b>	74° outer cone
<b>Design</b>	Screw-in sockets
<b>Construction</b>	T shaped
<b>Material</b>	Stainless steel



## Item

Identification	G1	G2 + G3	AF (mm)
T HN 02 HJ 04 VA	1/8" -27 NPT	7/16"-20 UNF	11
T HN 04 HJ VA	1/4" -18 NPT	7/16"-20 UNF	14
T HN 04 HJ 06 VA	1/4" -18 NPT	9/16"-18 UNF	14
T HN 06 HJ VA	3/8" -18 NPT	9/16"-18 UNF	19
T HN 06 HJ 08 VA	3/8" -18 NPT	3/4"-16 UNF	19
T HN 08 HJ VA	1/2" -14 NPT	3/4"-16 UNF	22
T HN 12 HJ VA	3/4" -14 NPT	1.1/16" -12 UN	27

AF = Width across flats

## Product versions

T HN HJ Screw-in socket, T shaped, Steel