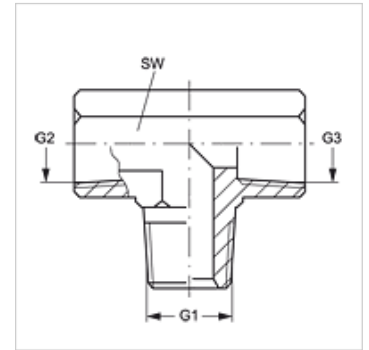


T HN IN

Screw-in socket, T shaped

Properties

Connection 1	NPT external threads
Sealing form 1	thread seal
Connection 2 + 3	NPT internal thread
Sealing form 2 + 3	thread seal
Design	Screw-in sockets
Construction	T shaped
Material	Steel
Surface	electro galvanised



Item

Identification	G1	G2 + G3	AF (mm)
T HN 02 IN	1/8" -27 NPT	1/8" -27 NPT	14
T HN 04 IN	1/4" -18 NPT	1/4" -18 NPT	19
T HN 06 IN	3/8" -18 NPT	3/8" -18 NPT	22
T HN 08 IN	1/2" -14 NPT	1/2" -14 NPT	27
T HN 12 IN	3/4" -14 NPT	3/4" -14 NPT	33
T HN 16 IN	1" -11.5 NPT	1" -11.5 NPT	41
T HN 20 IN	1.1/4" -11.5 NPT	1.1/4" -11.5 NPT	48

AF = Width across flats