

T HN VA

Screw-in socket, T shaped

Properties

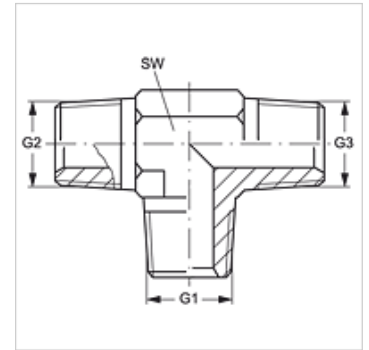
Connection 1 - 3 NPT external threads

Sealing form 1 - 3 thread seal

Design Screw-in sockets

Construction T shaped

Material Stainless steel



Item

Identification	G1 - G3	AF (mm)
T HN 08 VA	1/2" -14 NPT	22

AF = Width across flats

Product versions

T HN Screw-in socket, T shaped, Steel