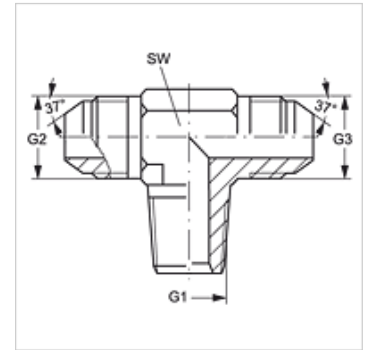


T HRK HJ

Screw-in socket, T shaped

Properties

Connection 1	BSPT conical external threads
Sealing form 1	thread seal
Connection 2 + 3	UN/UNF external threads
Sealing form 2 + 3	74° outer cone
Design	Adjustable direction screw-in socket
Construction	T shaped
Material	Steel
Surface	electro galvanised



Item

Identification	G1	G2 + G3	AF (mm)
T HRK 02 HJ 04	R 1/8" K	7/16"-20 UNF	11
T HRK 02 HJ 05	R 1/8" K	1/2"-20 UNF	13
T HRK 04 HJ	R 1/4" K	7/16"-20 UNF	14
T HRK 04 HJ 05	R 1/4" K	1/2"-20 UNF	14
T HRK 04 HJ 06	R 1/4" K	9/16"-18 UNF	14
T HRK 06 HJ	R 3/8" K	9/16"-18 UNF	19
T HRK 06 HJ 08	R 3/8" K	3/4"-16 UNF	19
T HRK 06 HJ 10	R 3/8" K	7/8"-14 UNF	19
T HRK 08 HJ	R 1/2" K	3/4"-16 UNF	22
T HRK 08 HJ 10	R 1/2" K	7/8"-14 UNF	22
T HRK 08 HJ 12	R 1/2" K	1.1/16" -12 UN	27
T HRK 12 HJ	R 3/4" K	1.1/16" -12 UN	27
T HRK 12 HJ 10	R 3/4" K	7/8"-14 UNF	27
T HRK 16 HJ	R 1" K	1.5/16" -12 UN	33

AF = Width across flats