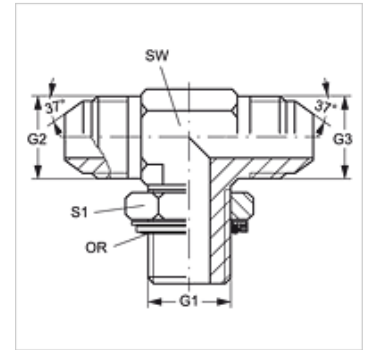


T HROK HJ VA

Screw-in socket, T shaped

Properties

Connection 1	BSP external thread, cylindrical
Sealing form 1	Thread socket with O-ring + spacer diaphragm ring
Connection 2 + 3	UN/UNF external threads
Sealing form 2 + 3	74° outer cone
Design	Adjustable direction screw-in socket
Construction	T shaped
Material	Stainless steel



Ordering information

Seals of NBR
FPM (Viton) on request

Item

Identification	G1	G2 + G3	AF (mm)	S1	OR
T HROK 06 HJ 08 VA	G 3/8" -19	3/4"-16 UNF	22	22	13.94 x 2.62
T HROK 02 HJ 04 VA	G 1/8" -28	7/16"-20 UNF	11	14	8.00 x 2.00
T HROK 04 HJ 06 VA	G 1/4" -19	9/16"-18 UNF	14	19	10.77 x 2.62

SW, S1, S2 = With across flats

Product versions

T HROK HJ Screw-in socket, T shaped, Steel

Spare parts

KAMMRING G Spacer diaphragm ring, imperial