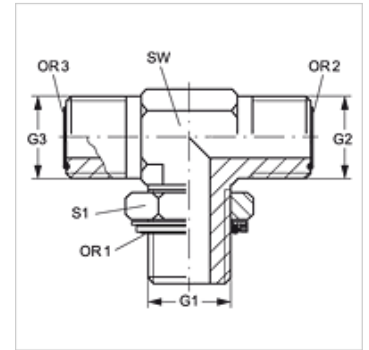


T HROK HJOF

Screw-in socket, T shaped

Properties

Connection 1	BSP external thread, cylindrical
Sealing form 1	Thread socket with O-ring + spacer diaphragm ring
Connection 2 + 3	ORFS external threads
Sealing form 2 + 3	flat seal with O-ring
Design	Adjustable direction screw-in socket
Construction	T shaped
Material	Steel
Surface	electro galvanised



Item

Identification	G1	G2 + G3	AF (mm)	S1	OR1	OR2 + OR3
T HROK 02 HJOF 04	G 1/8" -28	9/16"-18 UNF	14	14	8.00 x 2.00	7.65 x 1.78
T HROK 04 HJOF	G 1/4" -19	9/16"-18 UNF	19	19	10.77 x 2.62	7.65 x 1.78
T HROK 04 HJOF 06	G 1/4" -19	11/16" -16 UN	19	19	10.70 x 2.62	9.25 x 1.78
T HROK 06 HJOF	G 3/8" -19	11/16" -16 UN	19	22	13.94 x 2.62	9.25 x 1.78
T HROK 06 HJOF 08	G 3/8" -19	13/16" -16 UN	19	22	13.94 x 2.62	12.42 x 1.78
T HROK 08 HJOF	G 1/2" -14	13/16" -16 UN	27	27	17.86 x 2.62	12.42 x 1.78
T HROK 08 HJOF 10	G 1/2" -14	1" -14 UNS	27	27	17.86 x 2.62	15.60 x 1.78
T HROK 12 HJOF 10	G 3/4" -14	1" -14 UNS	30	36	23.47 x 2.62	15.60 x 1.78
T HROK 12 HJOF	G 3/4" -14	1.3/16" -12 UN	30	36	23.47 x 2.62	12.42 x 1.78
T HROK 16 HJOF	G 1" -11	1.7/16" -12 UN	36	41	29.75 x 3.53	23.52 x 1.78
T HROK 20 HJOF	G 1.1/4" -11	1.11/16" -12 UN	41	50	37.69 x 3.53	29.87 x 1.78
T HROK 24 HJOF	G 1.1/2" -11	2" -12 UN	50	55	44.04 x 3.53	37.82 x 1.78

SW, S1, S2 = With across flats

Spare parts

KAMRING G Spacer diaphragm ring, imperial