

# T IN

Screw-on socket, T shaped

## Properties

**Connection 1 - 3** NPT internal thread

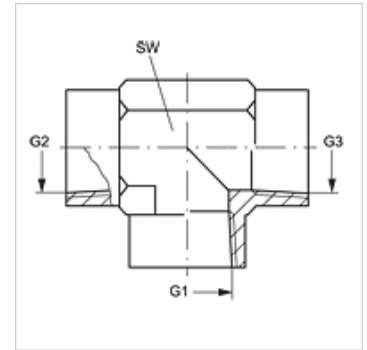
**Sealing form 1 - 3** thread seal

**Design** Screw-on socket

**Construction** T shaped

**Material** Steel

**Surface** electro galvanised



## Item

Identification	G1 - G3	AF (mm)
T IN 02	1/8" -27 NPT	14
T IN 04	1/4" -18 NPT	19
T IN 06	3/8" -18 NPT	22
T IN 08	1/2" -14 NPT	27
T IN 12	3/4" -14 NPT	33
T IN 16	1" -11.5 NPT	41
T IN 20	1.1/4" -11.5 NPT	48
T IN 24	1.1/2" -11.5 NPT	64

AF = Width across flats

## Product versions

T IN VA Screw-on socket, T shaped, Stainless steel