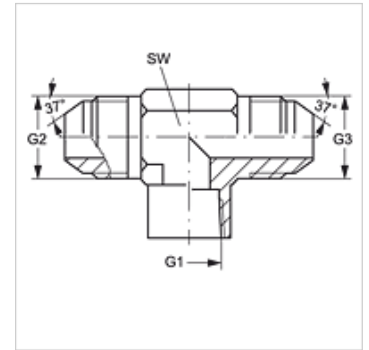


T IN HJ VA

Screw-on socket, T shaped

Properties

Connection 1	NPT internal thread
Sealing form 1	thread seal
Connection 2 + 3	UN/UNF external threads
Sealing form 2 + 3	74° outer cone
Design	Screw-on socket
Construction	T shaped
Material	Stainless steel



Item

Identification	G1	G2 + G3	AF (mm)
T IN 02 HJ 04 VA	1/8" -27 NPT	7/16"-20 UNF	14
T IN 04 HJ VA	1/4" -18 NPT	7/16"-20 UNF	19
T IN 04 HJ 06 VA	1/4" -18 NPT	9/16"-18 UNF	19
T IN 06 HJ 08 VA	3/8" -18 NPT	3/4"-16 UNF	22

AF = Width across flats

Product versions

T IN HJ Screw-on socket, T shaped, Steel