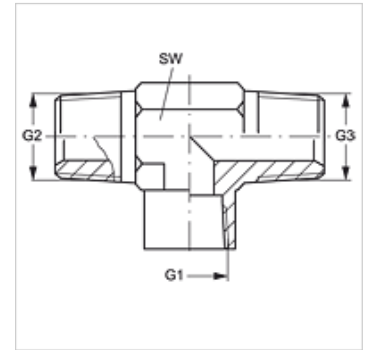


T IN HN

Screw-on socket, T shaped

Properties

Connection 1	NPT internal thread
Sealing form 1	thread seal
Connection 2 + 3	NPT external threads
Sealing form 2 + 3	thread seal
Design	Screw-in sockets
Construction	T shaped
Material	Steel
Surface	electro galvanised



Item

Identification	G1	G2 + G3	AF (mm)
T IN 02 HN	1/8" -27 NPT	1/8" -27 NPT	14
T IN 04 HN	1/4" -18 NPT	1/4" -18 NPT	19
T IN 06 HN	3/8" -18 NPT	3/8" -18 NPT	22
T IN 08 HN	1/2" -14 NPT	1/2" -14 NPT	27
T IN 12 HN	3/4" -14 NPT	3/4" -14 NPT	33
T IN 16 HN	1" -11.5 NPT	1" -11.5 NPT	41
T IN 20 HN	1.1/4" -11.5 NPT	1.1/4" -11.5 NPT	48

AF = Width across flats