

# T IN VA

Screw-on socket, T shaped

## Properties

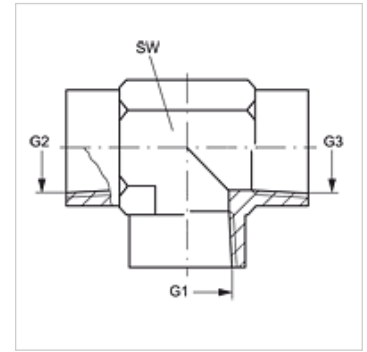
**Connection 1 - 3** NPT internal thread

**Sealing form 1 - 3** thread seal

**Design** Screw-on socket

**Construction** T shaped

**Material** Stainless steel



## Item

Identification	G1 - G3	AF (mm)
<b>T IN 02 VA</b>	1/8" -27 NPT	14
<b>T IN 04 VA</b>	1/4" -18 NPT	19
<b>T IN 06 VA</b>	3/8" -18 NPT	22
<b>T IN 08 VA</b>	1/2" -14 NPT	27
<b>T IN 12 VA</b>	3/4" -14 NPT	33
<b>T IN 16 VA</b>	1" -11.5 NPT	41

AF = Width across flats

## Product versions

**T IN** Screw-on socket, T shaped, Steel