

# T IR

Screw-on socket, T shaped

## Properties

**Connection 1 - 3** BSP cylindrical internal threads

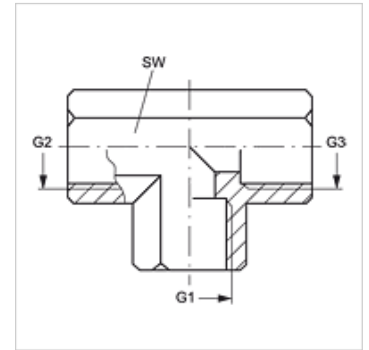
**Sealing form 1 - 3** Shape A

**Design** Screw-on socket

**Construction** T shaped

**Material** Steel

**Surface** electro galvanised



## Item

Identification	G1 - G3	AF (mm)
T IR 02	G 1/8" -28	14
T IR 04	G 1/4" -19	19
T IR 06	G 3/8" -19	22
T IR 08	G 1/2" -14	27
T IR 12	G 3/4" -14	33
T IR 16	G 1" -11	41
T IR 20	G 1.1/4" -11	50
T IR 24	G 1.1/2" -11	60
T IR 32	G 2" -11	70

AF = Width across flats