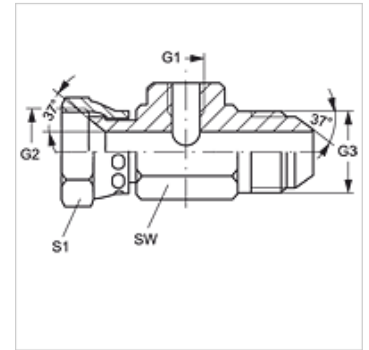


# T IR AJ HJ

## Adapter for test connection

### Properties

<b>Connection 1</b>	BSP cylindrical internal threads
<b>Connection 2</b>	UN/UNF nut threads
<b>Sealing form 2</b>	74° inner cone
<b>Connection 3</b>	UN/UNF external threads
<b>Sealing form 3</b>	74° outer cone
<b>Design</b>	Adapter for test connection
<b>Construction</b>	T shaped
<b>Material</b>	Steel
<b>Surface</b>	electro galvanised



### Item

Identification	G1	G2 + G3	Max. working pressure (bar)	AF (mm)	S1
T 04 IR AJ 05 HJ	G 1/4" -19	1/2"-20 UNF	420	36	17
T 04 IR AJ 08 HJ	G 1/4" -19	3/4"-16 UNF	350	36	22
T 04 IR AJ 10 HJ	G 1/4" -19	7/8"-14 UNF	350	36	27
T 04 IR AJ 12 HJ	G 1/4" -19	1.1/16" -12 UN	350	41	32
T 04 IR AJ 16 HJ	G 1/4" -19	1.5/16" -12 UN	250	46	38
T 04 IR AJ 20 HJ	G 1/4" -19	1.5/8" -12 UN	250	50	50
T 04 IR AJ 24 HJ	G 1/4" -19	1.7/8" -12 UN	170	60	60