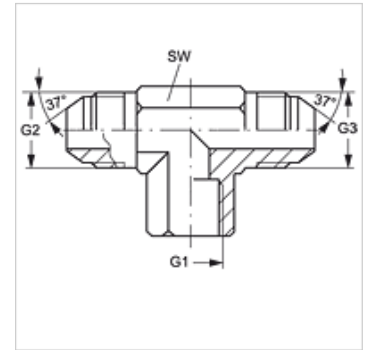


T IR HJ

Connection socket, T shaped

Properties

Connection 1	BSP cylindrical internal threads
Sealing form 1	Shape A
Connection 2 + 3	UN/UNF external threads
Sealing form 2 + 3	74° outer cone
Design	Connection sockets
Construction	T shaped
Material	Steel
Surface	electro galvanised



Item

Identification	G1	G2 + G3	AF (mm)
T IR 02 HJ 05	G 1/8" -28	1/2"-20 UNF	14
T IR 04 HJ	G 1/4" -19	9/16"-18 UNF	19
T IR 04 HJ 05	G 1/4" -19	1/2"-20 UNF	19
T IR 04 HJ 06	G 1/4" -19	9/16"-18 UNF	19
T IR 04 HJ 08	G 1/4" -19	3/4"-16 UNF	22
T IR 06 HJ 04	G 3/8" -19	7/16"-20 UNF	22
T IR 06 HJ	G 3/8" -19	9/16"-18 UNF	22
T IR 06 HJ 08	G 3/8" -19	3/4"-16 UNF	22
T IR 08 HJ	G 1/2" -14	3/4"-16 UNF	27
T IR 08 HJ 10	G 1/2" -14	7/8"-14 UNF	27
T IR 08 HJ 12	G 1/2" -14	1.1/16" -12 UN	33
T IR 12 HJ	G 3/4" -14	1.1/16" -12 UN	33
T IR 16 HJ	G 1" -11	1.5/16" -12 UN	41

AF = Width across flats