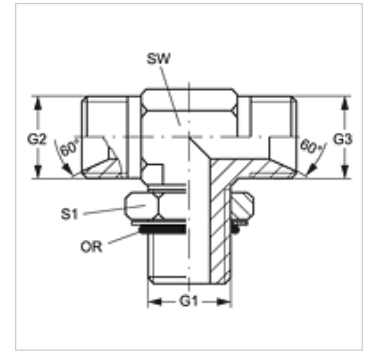


T O HB

Screw-in socket, T shaped

Properties

Connection 1	UN/UNF external threads
Sealing form 1	O-ring seal on screw-in socket
Connection 2 + 3	BSP cylindrical external threads
Sealing form 2 + 3	60° inner cone
Design	Adjustable direction screw-in socket
Construction	T shaped
Material	Steel
Surface	electro galvanised



Item					
Identification	G1	G2 + G3	AF (mm)	S1	OR
T O 06 HB 04	9/16"-18 UNF	G 1/4" -19	14	17	11.90 x 1.98
T O 06 HB	9/16"-18 UNF	G 3/8" -19	14	17	11.90 x 1.98
T O 08 HB	3/4"-16 UNF	G 1/2" -14	19	22	16.36 x 2.20
T O 10 HB 12	7/8"-14 UNF	G 3/4" -14	22	27	19.18 x 2.46
T O 12 HB	1.1/16" -12 UN	G 3/4" -14	27	32	23.47 x 2.95
T O 16 HB 12	1.5/16" -12 UN	G 3/4" -14	33	38	29.74 x 2.95

SW, S1, S2 = With across flats