

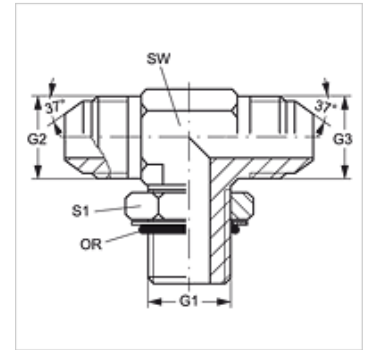
# T O HJ VA

Screw-in socket, T shaped

**HANSA FLEX**

## Properties

<b>Connection 1</b>	UN/UNF external threads
<b>Sealing form 1</b>	O-ring seal on screw-in socket
<b>Connection 2 + 3</b>	UN/UNF external threads
<b>Sealing form 2 + 3</b>	74° outer cone
<b>Design</b>	Adjustable direction screw-in socket
<b>Construction</b>	T shaped
<b>Material</b>	Stainless steel



## Ordering information

Seals of NBR

FPM (Viton) on request

## Item

Identification	G1	G2 + G3	AF (mm)	S1	OR
<b>T O 04 HJ VA</b>	7/16"-20 UNF	7/16"-20 UNF	11	14	8.92 x 1.83
<b>T O 06 HJ VA</b>	9/16"-18 UNF	9/16"-18 UNF	14	17	11.90 x 1.98
<b>T O 08 HJ VA</b>	3/4"-16 UNF	3/4"-16 UNF	19	22	16.36 x 2.20

SW, S1, S2 = With across flats

## Product versions

**T O HJ** Screw-in socket, T shaped, Steel