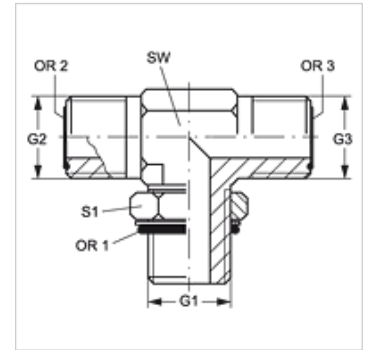


T O HJOF

Screw-in socket, T shaped

Properties

| | |
|---------------------------|--------------------------------------|
| Connection 1 | UN/UNF external threads |
| Sealing form 1 | O-ring seal on screw-in socket |
| Connection 2 + 3 | ORFS external threads |
| Sealing form 2 + 3 | flat seal with O-ring |
| Design | Adjustable direction screw-in socket |
| Construction | T shaped |
| Material | Steel |
| Surface | electro galvanised |



Item

| Identification | G1 | G2 + G3 | AF (mm) | S1 | OR1 | OR2 + OR3 |
|--------------------|----------------|-----------------|------------|----|--------------|--------------|
| T O 04 HJOF | 7/16"-20 UNF | 9/16"-18 UNF | 14 | 16 | 8.92 x 1.83 | 7.65 x 1.78 |
| T O 06 HJOF | 9/16"-18 UNF | 1 1/16" -16 UN | 19 | 19 | 11.89 x 1.98 | 9.25 x 1.78 |
| T O 08 HJOF | 3/4"-16 UNF | 1 3/16" -16 UN | 19 | 24 | 16.36 x 2.21 | 12.42 x 1.78 |
| T O 10 HJOF | 7/8" -14 UNF | 1" -14 UNS | 27 | 27 | 19.18 x 2.46 | 15.60 x 1.78 |
| T O 12 HJOF | 1.1/16" -12 UN | 1.3/16" -12 UN | 30 | 36 | 23.47 x 2.95 | 18.77 x 1.78 |
| T O 16 HJOF | 1.5/16" -12 UN | 1.7/16" -12 UN | 37 | 41 | 29.74 x 2.95 | 23.52 x 1.78 |
| T O 20 HJOF | 1.5/8" -12 UN | 1.11/16" -12 UN | 41 | 48 | 37.47 x 3.00 | 29.87 x 1.78 |
| T O 24 HJOF | 1.7/8" -12 UN | 2" -12 UN | 48 | 54 | 43.69 x 3.00 | 37.82 x 1.78 |

SW, S1, S2 = With across flats