

TSV HJ VA

Bulkhead fitting socket, T shaped

Properties

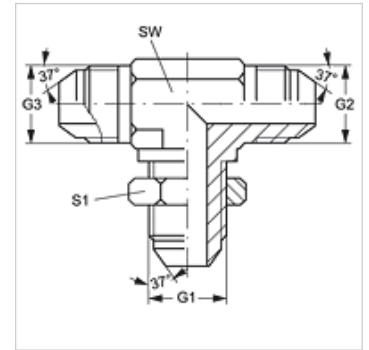
Connection 1 - 3 UN/UNF external threads

Sealing form 1 - 3 74° outer cone

Design Bulkhead fitting socket

Construction T shaped

Material Stainless steel



Item

Identification	G1 - G3	AF (mm)	S1
T SV 04 HJ VA	7/16"-20 UNF	11	17
T SV 06 HJ VA	9/16"-18 UNF	14	21

SW, S1, S2 = With across flats

Product versions

TSV HJ Bulkhead fitting socket, T shaped, Steel