

DKI VA

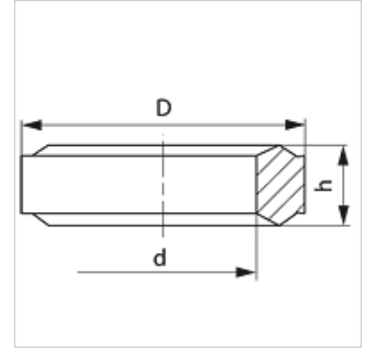
Edge sealing ring for internal thread

Properties

Design Edge sealing ring

Standard DIN 2353
ISO 8434-1

Material Stainless steel



Item

Identification	for thread	D (mm)	d (mm)	h (mm)
DKI 1/4 VA	G 1/4"	11,0	6,0	4,5
DKI 1/2 VA	G 1/2"	18,3	12,5	5,0

Product versions

DKI Edge sealing ring for internal thread, Steel

Spare part for following products

XMVE VA Pressure gauge connection fitting

XMVN VA Pressure gauge connection fitting

MVR VA Pressure gauge connection fitting

MVE VA Pressure gauge connection fitting

MVO VA Pressure gauge connection fitting

MVN VA Pressure gauge connection fitting